

Spectra 01

Single Head Contrast Media Injector for CT

- Compact
- User Friendly
- Reliable



Spectra 01

Fully indigenous design.

Light weight, tough, & stable Aluminum casing for easy cleaning & hygiene, Modular design facilitates easy and faster servicing.

Convenient, multi-colour & bright display with touch screen operations.

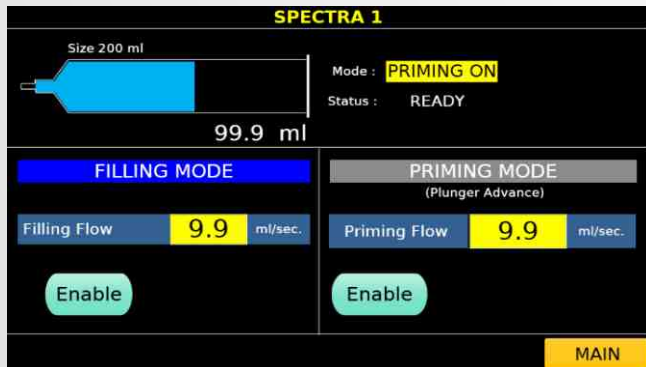
Easily understandable settings and performance parameters help efficient usage of the injector.

Programmable routine and multi-phase protocols.

Protection against injecting high volumes of contrast media than available in the syringe.

Warning and auto-stop for high pressure resistance.

Syringe warmer provided to keep contrast at room temperature.



Controlled fill:

Fills disposable syringes in a controlled manner.

Control at your finger tips:

Manual flow keys for easy priming and has indication of contrast quantity with the help of coloured graphics.



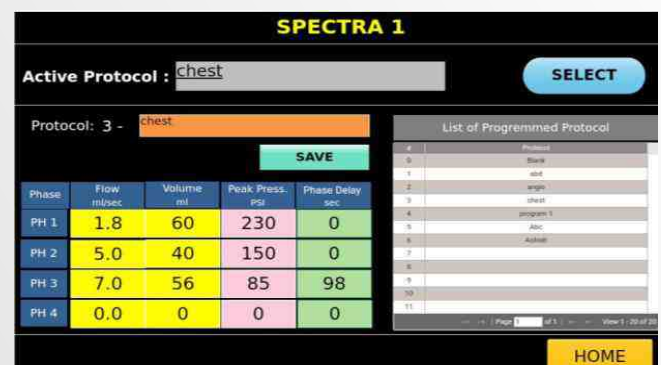
Tilt enabled:

Enables removal of air bubble by tilting the syringe that reduces the risk of air embolism.



Real Time Monitoring of pressure, flow rate & injected volume:

When actual pressure exceeds the set pressure due to body resistance, Injector will automatically slow down and procedure is completed at set pressure limit with alarm Indicator.



User-friendly Technology:

Parameters like flow rate, volume and pressure are controllable as per patient requirement.

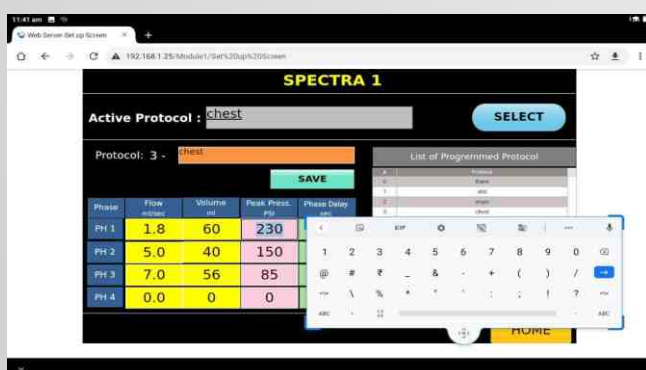
Smallest footprint (410mm) and easy mobility.

Remote operation with wireless controller.

Syringe can be easily fixed by simple mechanism.

Multiple protocols & Multiple phases with variable flow rates

It provides easy and quick access to set routine and multiphase protocols.



Technical Data

Functional

Flow rate	0.1 to 8 ml/s (0.1 ml/sec increment)
Maximum Volume	200 ml (1 ml/sec increment)
Maximum Pressure	350 psi / 22 bar
Scan delay	0-300 sec
Phase delay	0-300 sec
Heating	Syringe Warmer (Optional)
Manual fill rate	Up to 8 ml/s
Auto fill rate	Up to 8 ml/s

Controls

Base	Line power IEC inlet On/off switch
Head Screen	7" LCD touch screen
Console room controller	
Monitor	10" LCD
Controls	Wi fi enabled controls keeps the injector wireless and mobile Complete injector protocol management - all from within the control room Real time injection pressure and flow matrix All the advantages of touch screen tablet

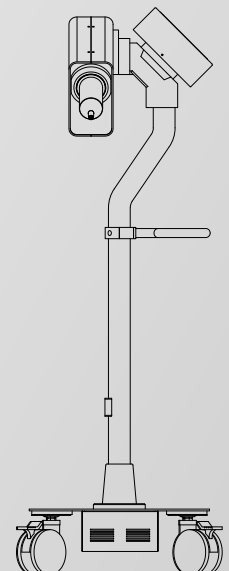
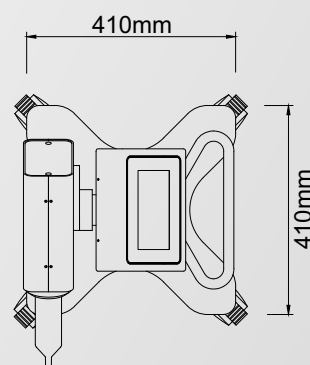
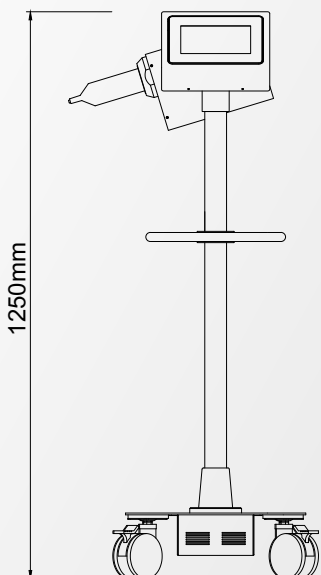
Interface

Mechanical

Weight	22 kg
Height	1300 mm
Footprint	410 mm x 410 mm
Wheels	4 antistatic castors, two locking

Electrical

Line voltage	230 VAC, 50 Hz
Battery Backup	Optional



Manufactured by

Spectrum Medical Technologies LLP

(ISO 13485:2016 Certified Company)

201, Hiren Industrial Estate

Mogul Lane, Mahim West, Mumbai 400016

Tel.: +91 7738303336 • 022 35777596

Email: info@spectrummedical.in

Web: www.spectrummedical.in

